



ASY Electronics (Jiaxing) Co., Ltd

Business inquiries: +86 181 5734 3325

E-mail: [sales@king-sen.com](mailto:sales@king-sen.com) Website: [www.asyjx.com](http://www.asyjx.com)

Address: Room 302, Building 11, No. 79 Jinsui Road, Economic and Technological Development Zone, Jiaxing , Zhejiang P.R. China

# Wireless temperature and humidity sensor KL-WS34GK Manual





ASY Electronics (Jiaxing) Co., Ltd

Business inquiries: +86 181 5734 3325

E-mail: [sales@king-sen.com](mailto:sales@king-sen.com) Website: [www.asyjx.com](http://www.asyjx.com)

Address: Room 302, Building 11, No. 79 Jinsui Road, Economic and Technological Development Zone, Jiaxing , Zhejiang P.R. China

# Table of contents

I. Product overview .....	1
II. Structure of wireless temperature measurement system .....	1
2.1 Wireless temperature measurement system structure diagram ...	1
2.2 Schematic diagram of the wireless temperature and humidity 2.....	2
2.3 Function Introduction .....	2
III. Main Technical Parameters .....	3
IV . Typical Networking Methods for Wireless Temperature Measurement Systems	44



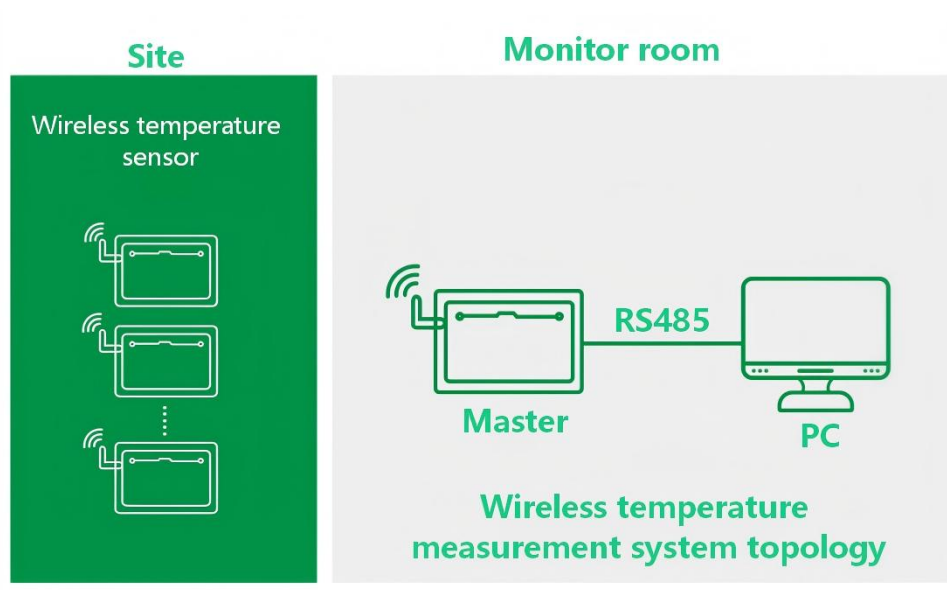
## I、 Product Overview

wireless temperature and humidity sensor is a wireless smart sensor capable of accurately measuring ambient temperature and humidity . It employs a high-precision digital sensor and is equipped with a dedicated protective cover to ensure the reliability and stability of the measurement data.

This temperature and humidity sensor can simultaneously detect the temperature and humidity in the environment and transmit the collected temperature and humidity data to the wireless temperature measurement host in real time via a wireless network.

## II、 Wireless temperature measurement system structure

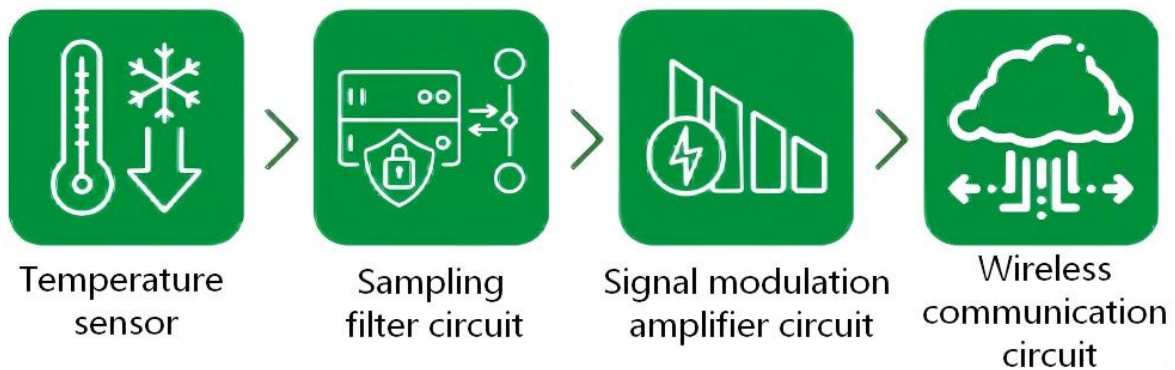
### 2.1 Wireless Temperature Measurement System Structure Diagram





## 2.2 Schematic diagram of wireless temperature and humidity sensor

### Principle and structure of wireless temperature measurement sensor



## 2.3 Function Introduction

Main functions	Function introduction
Temperature and humidity detection function	Real-time monitoring of current temperature and humidity.
Battery voltage self-test function	Real-time detection of the internal battery voltage value of the sensor.
Note: All data detected by the sensors are uploaded to the wireless temperature measurement host via wireless transmission.	



### III、 Main technical parameters

category	Parameter Indicators
Temperature measurement range	-40°C to +120°C
Temperature measurement accuracy	±0.3°C
	±0.7°C
Humidity range	0~100%HR
Humidity accuracy	±3.0%HR
	±4.5%HR
Operating voltage	2.5~3.6V
standby current	1uA
carrier frequency	433MHz
RF modulation mode	GFSK
Wireless transmission distance	≤300 meters (visible distance in open areas)
Transmission frequency	1 time/5 minutes
Product Dimensions	57.7mm*89.5mm*35.5mm
Work environment	Temperature: -20°C to +85°C Humidity: ≤ 90%RH
Storage environment	Temperature: -45°C to +90°C Humidity: ≤ 95%RH
Waterproof rating	IP65
Installation method	Adhesive/screw fixing

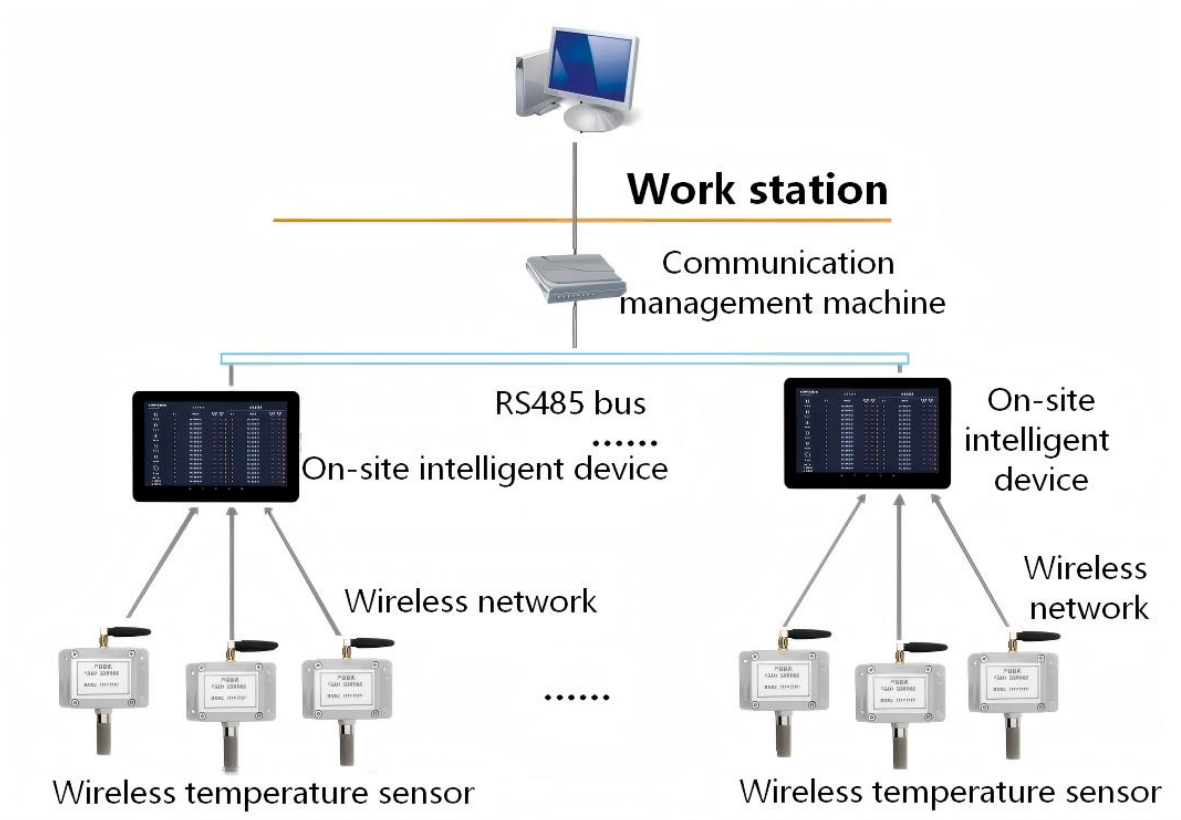


Business inquiries: +86 181 5734 3325

E-mail: [sales@king-sen.com](mailto:sales@king-sen.com) Website: [www.asyjx.com](http://www.asyjx.com)

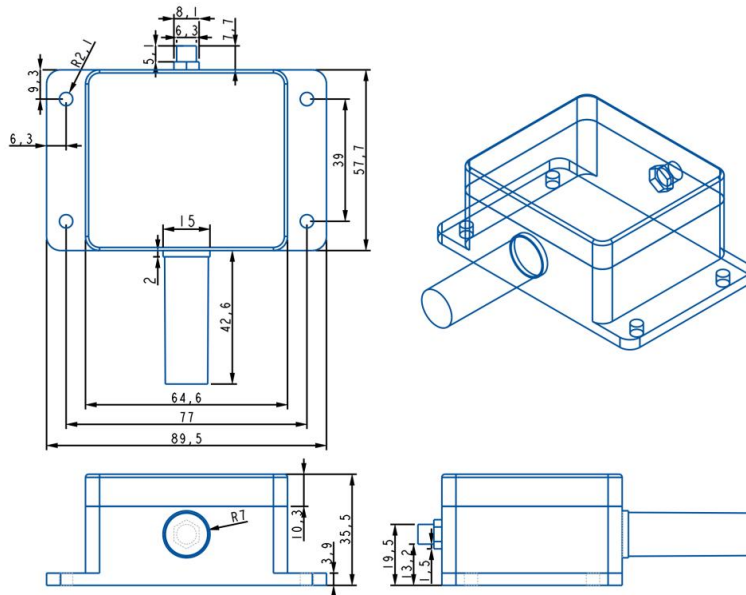
Address: Room 302, Building 11, No. 79 Jinsui Road, Economic and Technological Development Zone, Jiaxing , Zhejiang P.R. China

## IV、 Typical networking methods for wireless temperature measurement systems



## V、 External dimensions

External dimensions (unit: mm)





ASY Electronics (Jiaxing) Co., Ltd

Business inquiries: +86 181 5734 3325

E-mail: [sales@king-sen.com](mailto:sales@king-sen.com) Website: [www.asyjx.com](http://www.asyjx.com)

Address: Room 302, Building 11, No. 79 Jinsui Road, Economic and Technological Development Zone, Jiaxing , Zhejiang P.R. China

## VI、 Contact Us



Business Phone: 18157343325 Lila Xu

Technical Phone: 18057302496 Wailly Yang

E-mail: [sales@king-sen.com](mailto:sales@king-sen.com)

Office website: [www.asyjx.com](http://www.asyjx.com)

Address: Room 302, Building 11, No. 79 Jinsui Road,  
Economic and Technological Development Zone,  
Jiaxing , Zhejiang P.R. China

\*This information product images and technical data is for reference only, if subject to update without prior notice, the specific content of the right to interpret ASY Electronics (Jiaxing) Co., Ltd.