



AC3803D Series Three-Phase Three-Wire Isolation Filter



Features

- Rated current up to 250A
- Maximum withstand voltage up to 690VAC
- Compact, high-performance two-pole, three-phase filters
- Excellent filtering and isolation effects
- Good interference suppression characteristics and EMC solutions
- Various wiring options available: bolt, copper, terminal block
- Safety certification

Application

- Power filters are suitable for normal three-phase, three-wire power carriers, not only can it effectively filter out the impact of interference on the power line on the power carrier, and it can isolate the carrier signal, it has secondary filtering effect.
- Isolation filters can resolve issues such as overvoltage, overcurrent, overload, overheating, false tripping, and failure to operate caused by harmonics and surges in the power grid affecting load equipment.
- Isolation filters are connected in series on power lines, installed externally on power line carrier equipment, to block and isolate the impact of grid loads on the equipment and the interference caused to power line carrier communications.
- Suitable for most industrial applications with severe interference, such as motor drives and servo systems.



Technical conditions (Ratings and Values)

Rated Voltage	380/440VAC
Operating frequency	50/60Hz
Rated Current	5~250A
Filter Range	10KHz~30MHz
Hi-pot Test	1450VD 2sec(Line to Line) 2250VD 2sec(Line to Ground)
Leakage Current	90mA Max
Climatic Category	25/085/21 (-25°C to +85°C)
Relevant Design Standards	UL 1283, CSA 22.2 No. 8 1986, IEC/EN60939

Electrical Schematic

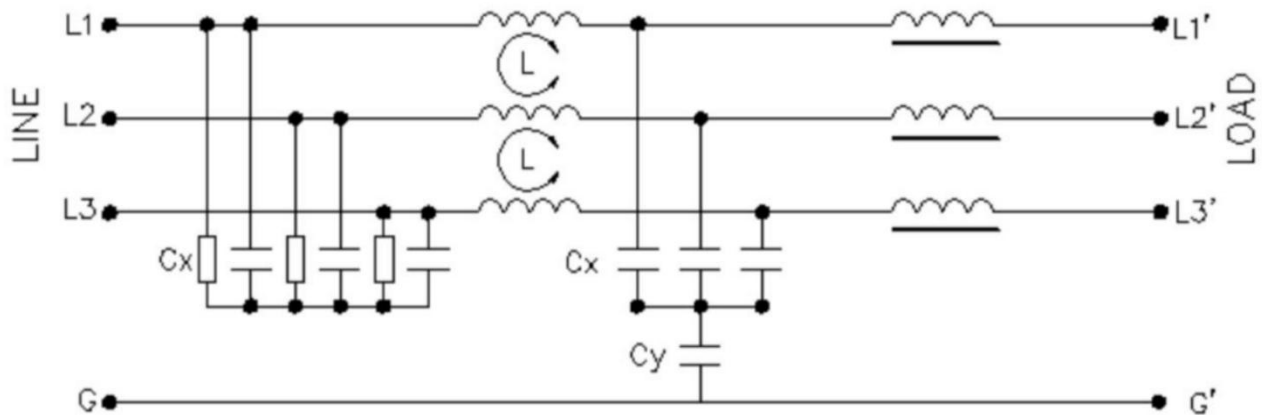




Fig 1



Type Selection Table

Item No.	Rated current(A)	Leak current (≤mA)	Variable Frequency Drive/Servo Motor Capacity(KW)	Shape size	Outgoing terminal mode	
					 - T	 - S
AC3803D-10A	10	10	2.2/4	N2	M4	M4
AC3803D-20A	20	20	5.5/7.5	N2	M6	M4
AC3803D-30A	30	20	11/14	N5	M6	M4
AC3803D-50A	50	30	22	N5	M6	M6
AC3803D-65A	65	30	30	N10	M8	M6
AC3803D-80A	80	40	37	N10	M8	M6
AC3803D-100A	100	40	45	N12	M8	M6
AC3803D-120A	120	40	55	N12	M10	M6
AC3803D-150A	150	60	75	N12	M10	M8
AC3803D-200A	200	60	90	N12/N15	(N12)M10	(N15)M8
AC3803D-250A	250	60	110	N15	M10	M8

Remark:

1. Selection method of filter: Calculate the maximum load current value of the power line, multiply by 1.5 times, the corresponding value is the filter current value.
2. Default wiring method: bolts or terminal blocks. Alternative wiring methods can be customised upon request, such as: wires, copper busbars, etc.
3. Isolation filters are specialised filters for power line carrier communication, customisable to meet carrier communication requirements, with a maximum current rating of 250A.

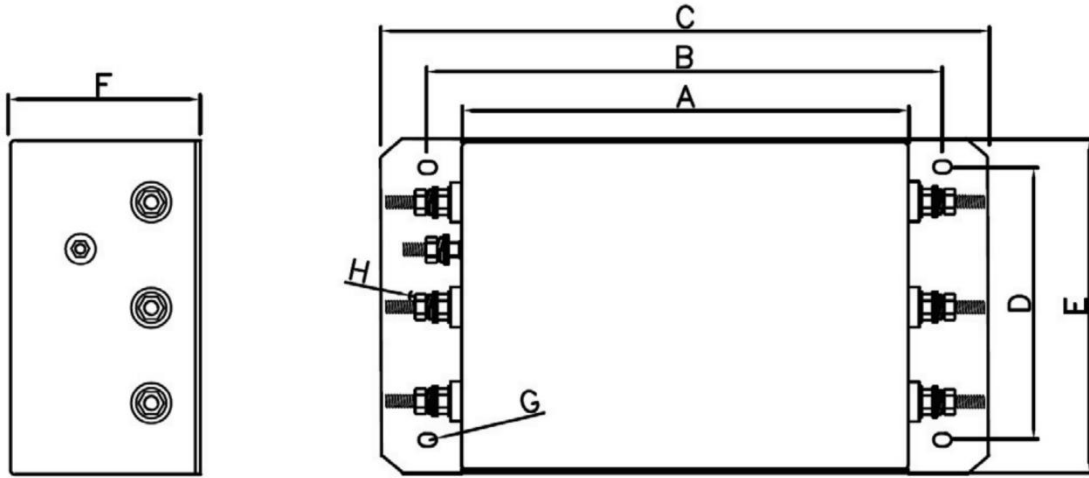


Business inquiries: +86 181 5734 3325

E-mail: sales@king-sen.com Website: www.asyix.com

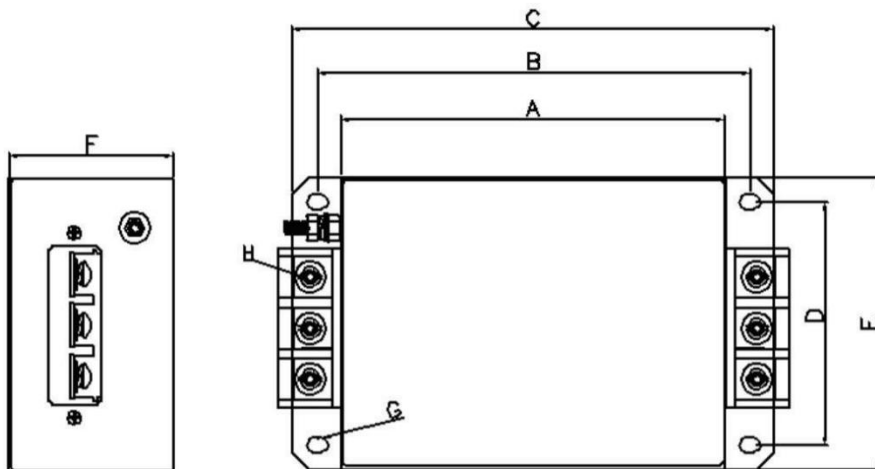
Address: Room 302, Building 11, No. 79 Jinsui Road, Economic and Technological Development Zone, Jiaxing, Zhejiang P.R. China

Outline Dimensions(mm) - Bolt(T)



	A	B	C	D	E	F	G	H
N2	110	125	140	70.0	93	56	5.3*7	M4
N5	150	168	186	85.0	105	60	6.4*9	M6
N10	200	220	240	100.0	120	80	6.4*9	M6
N12	260	286	314	140.0	170	107	8.8*14	M8
N15	300	326	354	160.0	185	112	8.8*14	M10

Terminal block (S)



	A	B	C	D	E	F	G	H
N2	110	125	140	70.0	93	56	5.3*7	M4
N5	150	168	186	85.0	105	60	6.4*9	M4
N10	200	220	240	100.0	120	80	6.4*9	M6
N12	260	286	314	140.0	170	107	8.8*14	M6
N15	300	326	354	160.0	185	112	8.8*14	M8



Wiring method

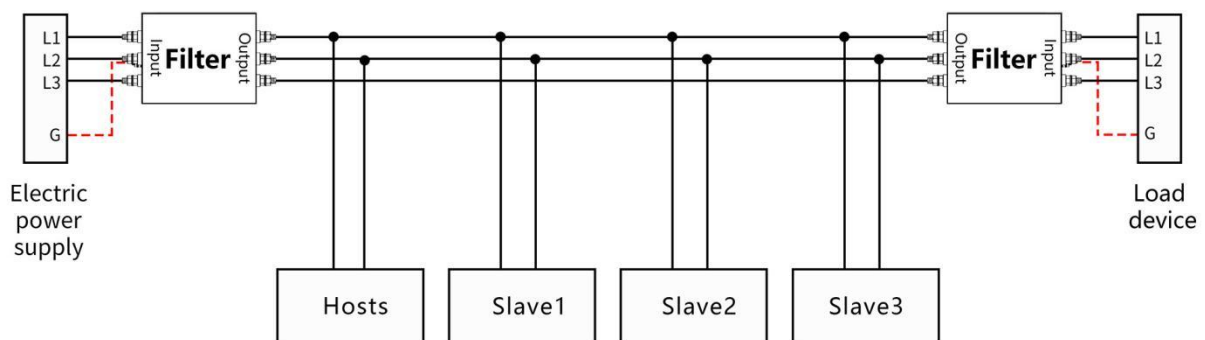
In practical power carrier applications , there will be large loads on the power lines , for example, regulated power supplies, inverters, servos, large capacitors, inductive loads, etc , these can have a large absorption effect on the high frequency signals of broadband power carriers.To avoid degradation of power carrier performance , to achieve the desired power carrier effect , it is highly recommended to install special power filters at both ends of the power line , impedance wave isolation is performed on the interference source.

Connection method of power filter in series on power line :

1.Main Control Cabinet: The output terminals of the main circuit breaker are connected in series with the input terminals (LINE) of the isolation filter, while the output terminals (LOAD) serve as the power supply output. The broadband carrier is connected in parallel to the output terminals (LOAD) of the isolation filter.

2.Electrical Control Sub-Cabinet: The output terminal (LOAD) of the isolation filter at the electrical control sub-cabinet end serves as the power input, connected in series with the output terminal (LOAD) of the filter at the main electrical control cabinet end. The input terminal (LINE) functions as the power output, connected in series with the load equipment. The broadband carrier is connected in parallel to the output terminal (LOAD) side of the isolation filter.

The three-phase isolation filter wiring diagram is as follows :





Notice:

1. The isolation filter serves as a dedicated isolator for power line carrier applications. Its wiring requires directional distinction: the power supply for isolation filters in the main electrical control cabinet flows from input to output, whereas for isolation filters in sub-control cabinets, the power supply flows from output to input. Isolation filters in sub-control cabinets must be wired in reverse, with the output terminal connected to the power supply input and the input terminal connected to the load.

2. Isolation filters shall be fitted externally to all broadband carrier units. Broadband carrier units shall be connected in parallel across the power lines at the outputs of the isolation filters; isolation filters shall not be fitted between carrier units.

3. All loads on the power line carrier circuit should be fitted with isolation filters to ensure broadband carrier communication operates over clean power lines.

4. The isolator should be installed as close as possible to the power cable entry point and the load end to filter out electromagnetic interference entering and escaping along the power cable.

5. The input and output lines of the isolation filter should be routed at a distance from one another; they must not be laid parallel or cross each other, so as not to reduce the filtering performance.

6. The earth connection for isolation filters must not be left floating; it must be connected to an earth wire or to a metal casing. The earth wire should be as short as possible.

7. Danger of electric shock: Never operate while energised; never touch the terminals directly. The isolation filter contains energy-storage components; hazardous voltages may persist for up to 10 seconds after disconnection.



Business inquiries: +86 181 5734 3325

E-mail: sales@king-sen.com Website: www.asyjax.com

Address: Room 302, Building 11, No. 79 Jinsui Road, Economic and Technological Development Zone, Jiaxing , Zhejiang P.R. China

Contact Us



Business Phone: 18157343325 Lila Xu

Technical Phone: 18057302496 Wailly Yang

E-mail: sales@king-sen.com

Office website: www.asyjax.com

Address: Room 302, Building 11, No. 79 Jinsui Road,
Economic and Technological Development Zone,
Jiaxing , Zhejiang P.R. China

*This information product images and technical data is for reference only, if subject to update without prior notice, the specific content of the right to interpret ASY Electronics (Jiaxing) Co., Ltd.