



## **Digital telephone broadcasting alarm all-in-one machine**

### **CS618L Manual 1.0**

Multi-party intercom/broadcast/alarm  
all-in-one machine

Automatic IP allocation and self-organizing  
network without debugging

Plug and play without wiring

Talking distance up to 1000 meters

Industrial grade standard: -40°C~85



## Catalogue

Product introduction .....	错误！未定义书签。
Technical parameters .....	错误！未定义书签。
Interface specification .....	7
Connection schematic .....	错误！未定义书签。
Installation method .....	10
Volume adjustment .....	10
Usage and debugging instructions .....	9
Other setups .....	8-9
External dimension .....	10
Selection guide .....	10
Contact us .....	11



## Product Introduction

Digital telephone is a multifunctional telephone that combines digital telephone, multi-party intercom, broadcasting, alarm and other functions in one. The working principle of digital telephone is that the front-end analog voice signals are digitized, coded and compressed, modulated and demodulated to the power line, and transmitted through the power line to achieve intercom broadcasting and alarm functions. The telephone is connected in parallel or in series on the power line, there is no need to arrange a separate signal line, the power line is the signal line. After the telephone is powered on, it can independently assign IP address and self-organize network without configuring network server, which is plug and play and saves wiring construction cost.

The digital telephone supports two microphone inputs, two outputs for internal and external speaker, and alarm output. Driver's room telephone supports foot pedal, gooseneck and other input devices. According to the different voltage of power line, digital telephone has two kinds of DC and AC models, DC model supports DC24V power line telephone system, AC model supports AC220V power line telephone system.

Digital telephone not only has the advantages of analog telephone without network configuration, simple wiring, plug and play, but also has the advantages of VoIP telephone with strong anti-interference, clear sound quality, good security, and scalability.

The excellent characteristics of digital telephone, in line with industrial-grade standards, applicable to the need for independent networking, and the environment of harsh interference serious places, including ports and harbors, ocean-going vessels, power plants, chemical plants, steel mills, oil rigs, lifting equipment, railroad tunnels, culverts, coal mines and railways, prisons, and the financial industry, and so on. These places are mostly noisy and high-risk operation areas, which have very high requirements on the function and reliability of call broadcasting alarm.

The main functional features of the digital telephone::



Business inquiries: +86 181 5734 3325

E-mail: [sales@king-sen.com](mailto:sales@king-sen.com) Website: [www.asyjx.com](http://www.asyjx.com)

Address: Room 302, Building 11, No. 79 Jinsui Road, Economic and Technological Development Zone, Jiaxing , Zhejiang P.R. China

- Using W-OFDM processing technology, digital processing of analog voice signals, no loss of sound quality, clear and bright sound, maintaining the original characteristics of the sound quality;
- The telephone system is connected by a two-core cable, independently assigned IP address, self-organizing network, no need to configure a network server, no need to carry out network debugging, the telephone is plug-and-play, convenient and fast;
- The phone system supports up to 32 nodes, supporting point-to-point, cascaded, distributed and other network connections;
- Wiring up to 300 meters for two telephones and up to 1000 meters for multiple telephones;
- Any one telephone can broadcast calls to the entire area, support three-way intercom calls, one machine for multiple uses;
- Intercom broadcast volume can be adjusted according to the site environment and actual needs;
- Telephone network mainframe, driver's room telephone set through the dipswitch setting, simple and convenient;
- Driver's compartment alarms have the highest priority, with access to foot pedals, goosenecks, alarms, etc;
- Telephone waterproof grade IP66 or above, novel appearance, simple structure, easy to install and use;

## Technical parameters

	DC Explosion-proof type	AC Explosion-proof type	DC Waterproof type	AC Waterproof type
Enclosure				
Item No.	CS618L-FB24	CS618L-FB220	CS618L-FS24	CS618L-FS220
Supply voltage	DC24V	DC24V	DC24V	DC24V
Signal line voltage	DC24V	AC0-220V	DC24V	AC0-220V
Communication method	Wideband power carrier			
Networking mode	Automatic IP assignment, self-organizing network			
Protection grade	Explosion-proof IP68		Waterproof IP66	
Material	Aluminum alloy		ABS engineering plastic	
Rise upward	8Ω 5W			
Spread	8Ω 25W	8Ω 50W	8Ω 25W	8Ω 50W
Power wastage	Standby 5W, Full load 25W	Standby 5W, Full load 50W	Standby 5W, Full load 25W	Standby 5W, Full load 50W
Working temperature	-40~85°C			
Relative humidity	10%~95% (non-condensable)			
Barometric pressure	80 ~ 110KPa			
Corrosion-proof grade	WF1			
Outline dimension	343×294×206		322×260×142	
Overall weight	7KG		6KG	



**ASY Electronics (Jiaxing) Co., Ltd**

Business inquiries: +86 181 5734 3325

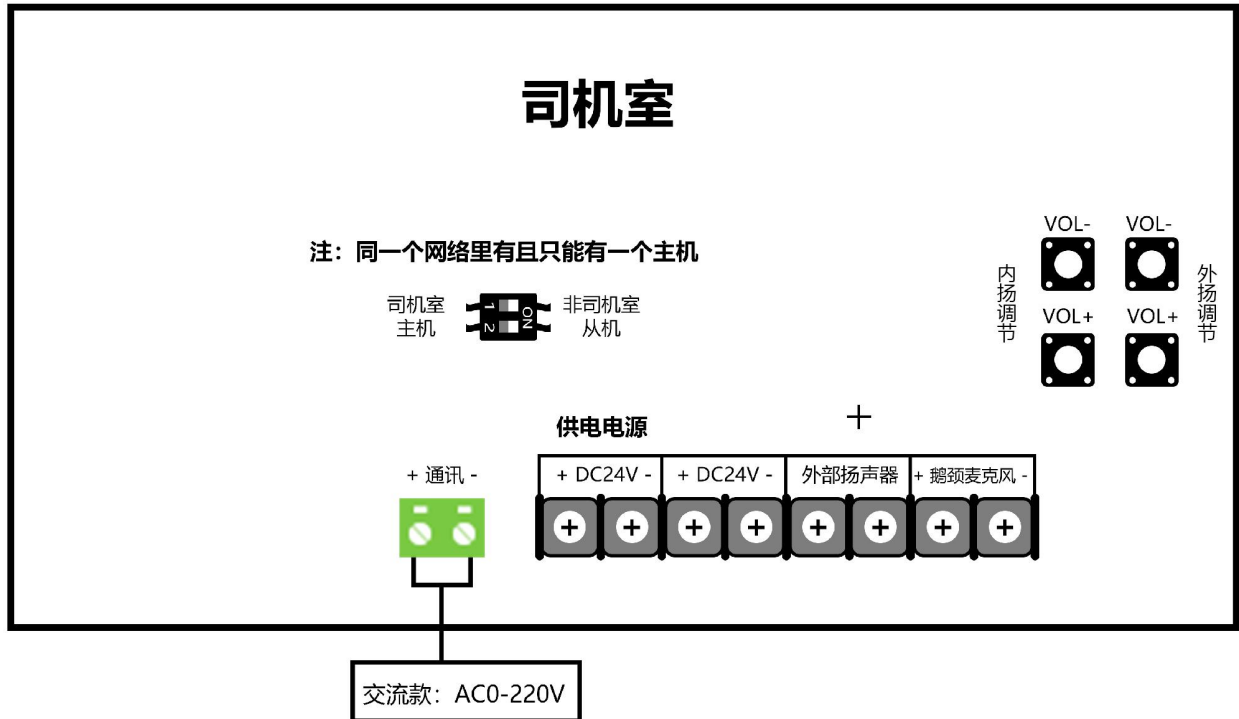
E-mail: [sales@king-sen.com](mailto:sales@king-sen.com) Website: [www.asyjax.com](http://www.asyjax.com)

Address: Room 302, Building 11, No. 79 Jinsui Road, Economic and Technological Development Zone, Jiaxing , Zhejiang P.R. China

Installation method	Wall mounting type
---------------------	--------------------



## Interface specification



<p><b>Communication port</b></p>	<p>DC type: DC 24V Distinguish between positive and negative poles, can be left unconnected. AC type: AC 0-220V Do not distinguish between positive and negative poles.</p>	<p><b>Power supply</b></p>	<p>AC type: Power supply is DC 24V, distinguish positive and negative poles. DC type: It's a power port and a signal port.</p>
<p><b>Dial a code master-slave</b></p>	<p>There is and can only be one host on the same network</p>	<p><b>Speaker volume adjustment</b></p>	<p>VOL-: Turn down the volume VOL+: Turn up the volume</p>



Business inquiries: +86 181 5734 3325

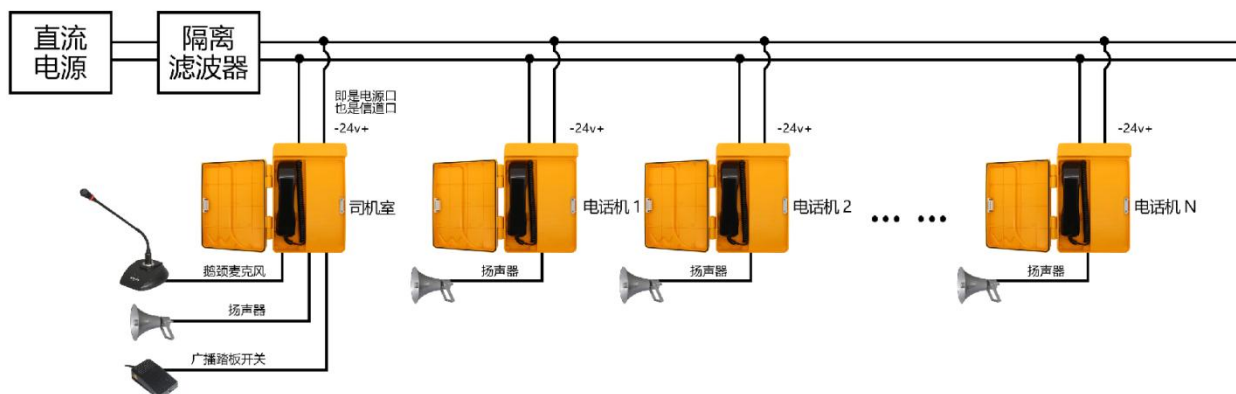
E-mail: [sales@king-sen.com](mailto:sales@king-sen.com) Website: [www.asyjsx.com](http://www.asyjsx.com)

Address: Room 302, Building 11, No. 79 Jinsui Road, Economic and Technological Development Zone, Jiaxing, Zhejiang P.R. China

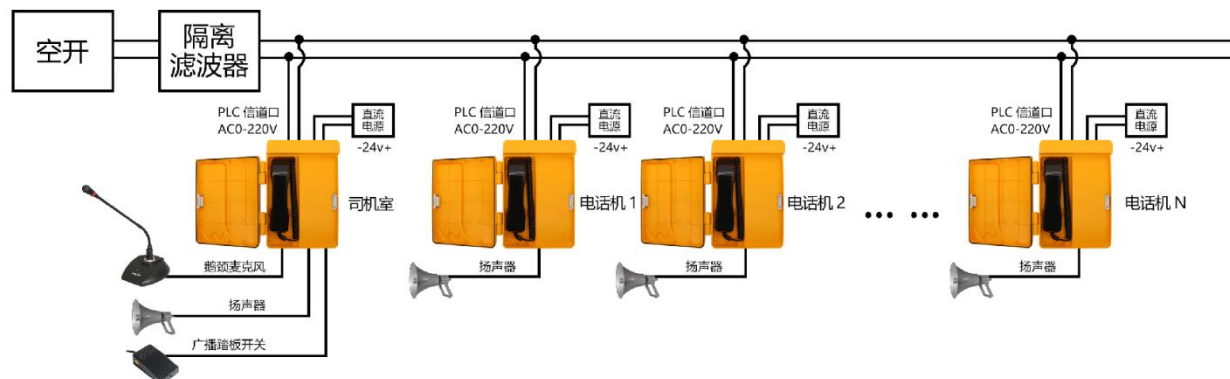
## Connection schematic diagram

The industrial grade digital telephone CS618L is divided into DC and AC models depending on the voltage of the cable. The DC model is suitable for telephone systems with DC24 power lines and the AC model is suitable for telephone systems with AC220V power lines. For each telephone system, it is necessary to set up a telephone main unit and a driver's room telephone via a dip switch. The telephone mainframe and the driver's room can be the same telephone or different telephones. All telephones are connected in parallel on the power line, and the telephones will assign their own IP addresses and self-organize the network after powering up.

### DC model wiring schematic, refer to the figure:



### AC model wiring schematic, refer to the figure:





### **Wiring precautions:**

1. Do not wire with electricity.
2. The digital telephone supports point-to-point, cascade, distributed and other network connections with no more than 32 nodes.
3. Each telephone network must be set up with a mainframe and a driver's room, which is set via a dip switch.
4. The hosts of the telephone network are set up in the middle part as much as possible, so that the link of the telephone network can be shortened.
5. The DC model telephone power cord is also a telephone communication cord, ensuring adequate voltage to the end telephone.
6. Each telephone of AC model needs to provide DC24 power supply independently, and the signal line is connected to AC220 power line in parallel.

### **Methods of use and operating instructions**

1. System normal standby state of any phone caller off the phone after pressing the handle center button, broadcasting call, all the network telephone panel broadcasting indicator light, at the same time, all the speakers of the phone (except the machine and the driver's room) are broadcasting the speech content. If you are looking for someone to talk to, you can directly broadcast the call to the called party, the called party hears the call and selects the nearest telephone to take off the phone to respond to the call, and the caller releases the handle center broadcast button to make a normal call. The caller releases the broadcast button in the middle of the handle to make a normal call. When the call is finished, hang up and return to standby mode.

2. The system supports three-way online calls. The phone system supports not only two-party intercom, but also three-party intercom. In three-way intercom mode, other phones can answer calls, or initiate announcements.

3. In addition to the handle of the driver's room microphone to realize the external broadcast, call, can be equipped with a gooseneck microphone and footswitch to facilitate the driver's operation, step on the broadcast footswitch, gooseneck microphone can be the driver's room outdoor speakers and all the



microphone's speakers for broadcasting, the called party off the phone to talk to the response.

4. Driver's room microphone with alarm switch port, external switch can realize the whole network all speakers synchronous alarm.

5. Volume Adjustment: Adjust the volume of the internal and external speaker via the buttons on the telephone.

## **Installation method**

1. Please make sure the mounting surface is level before installation, it is recommended to fix the top two screws first, and then adjust the bottom two mounting feet according to the levelness of the mounting surface. It is recommended to add rubber gaskets to correct and make up the leveling when installing, so as to avoid the deformation of the chassis due to the unevenness of the mounting surface affecting the use of the chassis. Especially the outdoor chassis cover is normally closed to affect the protection level.

2. The system bus uses single-core 2.5mm<sup>2</sup> two-core wire for power supply and signal transmission, and shielded twisted-pair wire is used as much as possible for harsh environments.

3. The driver's room can be connected to foot pedals, goosenecks, and alarms, etc. The microphone should be shielded cable and properly connected to the shield, otherwise it may affect the call quality.



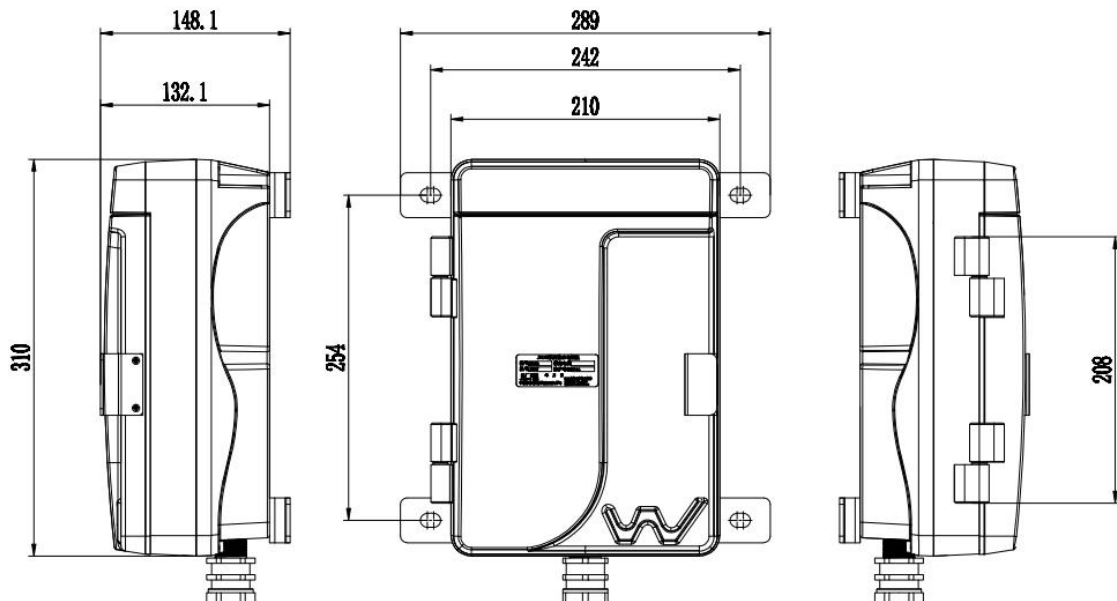
Business inquiries: +86 181 5734 3325

E-mail: [sales@king-sen.com](mailto:sales@king-sen.com) Website: [www.asyjsx.com](http://www.asyjsx.com)

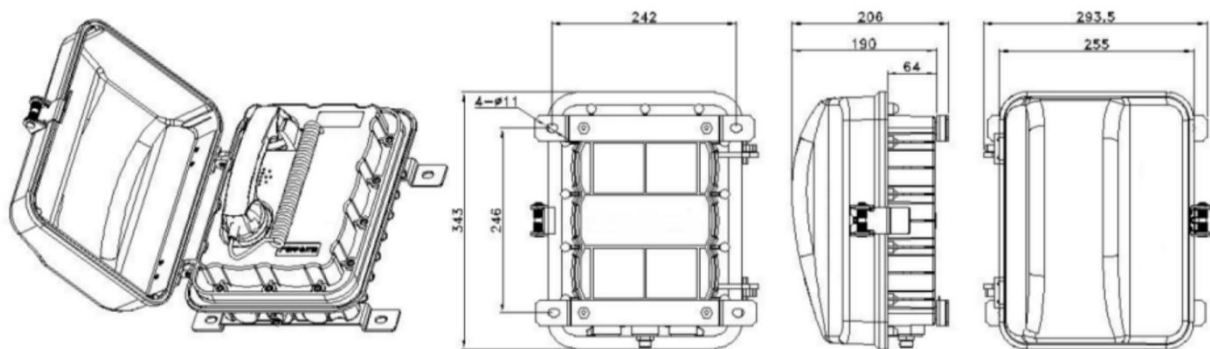
Address: Room 302, Building 11, No. 79 Jinsui Road, Economic and Technological Development Zone, Jiaxing, Zhejiang P.R. China

## External dimension

Waterproof telephone: Product shape and installation dimensions



Explosion-proof telephone: Product shape and installation dimensions



## Model selection guide

Item No.	CS618L-FB24	CS618L-FB220	CS618L-FS24	CS618L-FS220
Name	DC Explosion-proof	AC Explosion-proof	DC Waterproof	AC Waterproof
Supply voltage	DC24V	DC24V	DC24V	DC24V
Signal line voltage	DC24V	AC0-220V	DC24V	AC0-220V



## ASY Electronics (Jiaxing) Co., Ltd

Business inquiries: +86 181 5734 3325

E-mail: [sales@king-sen.com](mailto:sales@king-sen.com) Website: [www.asyjsx.com](http://www.asyjsx.com)

Address: Room 302, Building 11, No. 79 Jinsui Road, Economic and Technological Development Zone, Jiaxing , Zhejiang P.R. China

## Contact us



Business Phone: 18157343325 Lila Xu

Technical Phone: 18057302496 Wailly Yang

E-mail: [sales@king-sen.com](mailto:sales@king-sen.com)

Office website: [www.asyjsx.com](http://www.asyjsx.com)

Address: Room 302, Building 11, No. 79 Jinsui Road,  
Economic and Technological Development Zone,  
Jiaxing , Zhejiang P.R. China

\*This information product images and technical data is for reference only, if subject to update without prior notice, the specific content of the right to interpret ASY Electronics (Jiaxing) Co., Ltd.